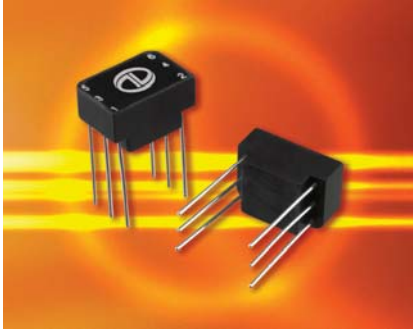




ROMOLAND, INC.

**4258-00XX SERIES**

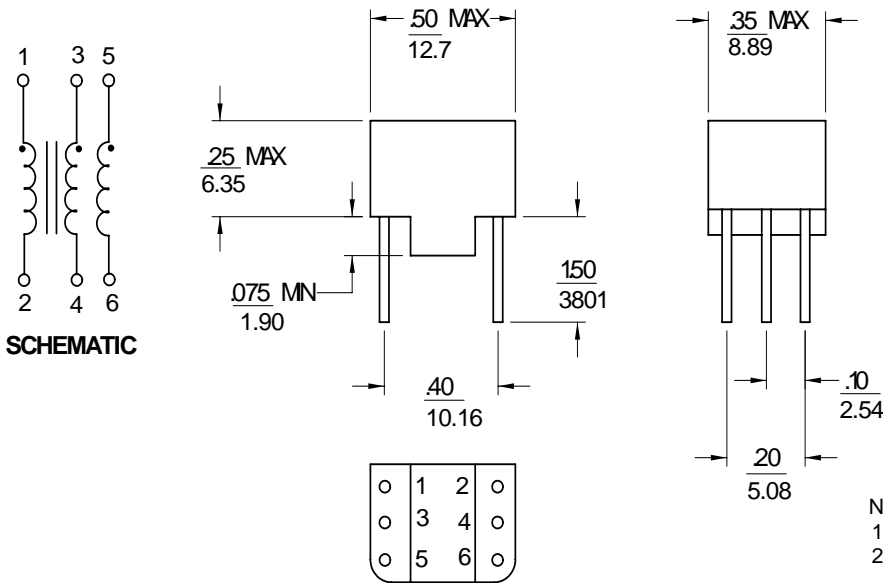
**TRANSFORMER MICROMINIATURE PULSE**



**Features**

- Dielectric Strength 250Vrms
- Insulation Resistance 10,000 Megohms
- Maximum Average Power 25 mW
- Peak Pulse Voltage 50 Volts
- MIL-PRF-21038 Seal Construction
- High Performance to Size Ratio
- Application Engineering Service: Engineering Data Available on Request
- Electrical Specification at 25°C

Transformer P/N	Turns Ratio Pri:Sec:Ter	Primary Inductance $\mu\text{H}$ ( $\pm 20\%$ )	ET Constant Volt $\mu\text{Sec}$	Leakage Inductance $\mu\text{H}$ (Max)	Interwind Capacitance pF (Max)	DCR $\Omega$ $\pm 20\%$			Effective Distributed Capacitance	
						1 - 2	3 - 4	5 - 6	1-2 (1,3,5 GND)	1-2 (1,4,6 GND)
4258 -0001	1:1:1	8	3.5	0.4	11	0.7	0.7	0.7	4.0	14
4258 -0002	1:1:1	25	5.8	0.4	15	1.1	1.1	1.1	4.0	20
4258 -0003	1:1:1	50	8	0.5	21	1.4	1.4	1.4	4.0	27
4258 -0004	1:1:1	250	9	0.5	16	1.1	1.1	1.1	4.0	16
4258 -0005	1:1:1	500	12	0.9	36	1.9	1.9	1.9	10.0	25
4258 -0006	1:1:1	800	16	0.7	26	1.8	1.8	1.8	4.0	25
4258 -0007	1:1:1	2500	22	1.2	45	3.1	3.1	3.1	4.0	50
4258 -0008	2:1:1	25	5.8	1.5	9.5	1.1	0.7	0.7	4.0	14
4258 -0009	2:1:1	250	9	2.5	10	1.0	0.7	0.7	4.0	6.5
4258 -0010	2:1:1	2500	22	7.0	24	2.8	1.6	1.6	6.0	50



- Notes:
1. Dimensions are in inches/mm.
  2. Tolerances inches .XXX  $\pm$  .010  
mm .XX  $\pm$  25
  3. Drawing is not to scale.