



ROMOLAND, INC.

4283-1200 SERIES

TRANSFORMER, HIGH VOLTAGE FLYBACK

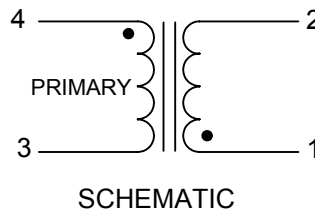
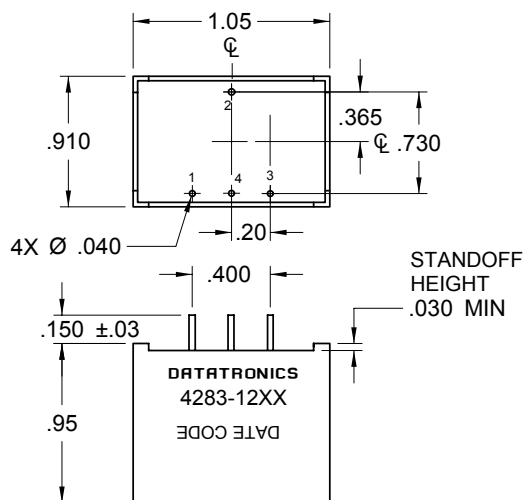


Features

- 2000 V Peak Output
- Full Selection of Turns Ratio
- Easy Pick and Place Design
- For Portable Application
- Virtually Corona Free

SPECIFICATION TABLE

	MIN	NOM	MAX	UNITS
TURN RATIO 3-4: 1-2	79.2	80	80.8	NONE
PRIMARY (3-4)				
DCR		.008		OHMS
INDUCTANCE (NOTE 1)		7.0		μ H
VOLT MICROSECONDS			150	$V\mu$ H
SECONDARY (1-2)				
VOLTAGE RATING			25	VOLT PEAK
DCR		11.5		OHMS
INDUCTANCE (NOTE1) :		45		mH
VOLTAGE RATING:			2000	VOLT PEAK
DISTRIBUTED CAPACITY		4.8		pf
DIELECTRIC WITHSTANDING VOLTAGE (PRIMARY TO SECONDARY)	3500			Vrms
POWER			30	WATTS
LEAKAGE INDUCTANCE (NOTE 2)		0.06		μ H
SELF RESONANT FREQUENCY (3-4)		340		kHz



- NOTES:
1. MEASURE WITH .1V AT 10 kHz.
 2. MEASURE 3-4 WITH .1V AT 100 kHz, SHORT 1-2.
 3. DIMENSIONS ARE IN INCHES UNLESS OTHERWISE SPECIFIED.
 4. TOLERANCE: \pm .010