



ROMOLAND, INC.

SINGLE PORT NT805-XXXT Series

Transformer, LAN, SMD 10/100 Base-TX



Features

- MIL-STD-981 Versions Available
- Meet IEEE 802.3 and ANSI X3.263 Standard Including 350 μ H OCL with 8mA Bias
- Various Circuit Configuration
- Excellent EMI and Differential to Common Mode Rejection Performance
- Meets IR Reflow at 235°C Peak Temperature
- Electrical Specification at 25°C

P/N NT805-	Cir	Pack	Turns Ratio (+/-5%)		Insertion Loss dB Max 1-100 MHz	CMRR dB (Typ)			Return Loss dB (Typ)			Cross Talk dB (Typ)			Hipot Vrms (Min)
			Xmit	Rcv		30 MHz	60 MHz	100 MHz	30 MHz	60 MHz	80 MHz	30 MHz	60 MHz	100 MHz	
NT805-401T	1	1	1CT:1CT	1CT:1CT	-1	-42	-37	-33	-20	-14	-11.5	-45	-40	-35	1500
NT805-402T	2	1	1CT:1CT	1CT:1CT	-1	-42	-37	-33	-20	-14	-11.5	-45	-40	-35	1500
NT805-403T	3	1	1CT:1CT	1CT:1CT	-1	-42	-37	-33	-20	-14	-11.5	-45	-40	-35	1500
NT805-501T	1	2	1CT:1CT	1CT:1CT	-1	-42	-37	-33	-20	-14	-11.5	-45	-40	-35	1500
NT805-502T	3	2	1CT:1CT	1CT:1CT	-1	-42	-37	-33	-20	-14	-11.5	-45	-40	-35	1500
NT805-503T	4	2	1CT:1CT	1CT:1CT	-1	-42	-37	-33	-20	-14	-11.5	-45	-40	-35	1500
NT805-504T	7	2	1CT:1CT	1CT:1CT	-1	-42	-37	-33	-20	-14	-11.5	-45	-40	-35	1500
NT805-551T	3	2	1.25CT:1CT	1CT:1CT	-1	-42	-37	-33	-20	-14	-11.5	-45	-40	-35	1500
NT805-552T	4	2	1.25CT:1CT	1CT:1CT	-1	-42	-37	-33	-20	-14	-11.5	-45	-40	-35	1500
NT805-553T	5	2	1.25CT:1CT	1CT:1CT	-1	-42	-37	-33	-20	-14	-11.5	-45	-40	-35	1500
NT805-554T	7	2	1.25CT:1CT	1CT:1CT	-1	-42	-37	-33	-20	-14	-11.5	-45	-40	-35	1500
NT805-555T	6	2	1.4CT:1CT	1CT:1CT	-1	-42	-37	-33	-20	-14	-11.5	-45	-40	-35	1500
NT805-556T	5	2	1.4CT:1CT	1CT:1CT	-1	-42	-37	-33	-20	-14	-11.5	-45	-40	-35	1500
NT805-557T	7	2	1.4CT:1CT	1CT:1CT	-1	-42	-37	-33	-20	-14	-11.5	-45	-40	-35	1500
NT805-558T	8	2	2CT:1	1CT:1CT	-1	-42	-37	-33	-20	-14	-11.5	-45	-40	-35	1500
NT805-559T	3	2	1CT:1.4CT	1CT:1CT	-1	-42	-37	-33	-20	-14	-11.5	-45	-40	-35	1500
NT805-560T	8	2	1CT:1.4CT	1CT:1CT	-1	-42	-37	-33	-20	-14	-11.5	-45	-40	-35	1500
NT805-561T	9	2	2CT:1CT	1CT:1CT	-1	-42	-37	-33	-20	-14	-11.5	-45	-40	-35	1500
NT805-562T	10	2	2CT:1	1CT:1CT	-1	-42	-37	-33	-20	-14	-11.5	-45	-40	-35	1500
NT805-601T	5	3	1CT:1CT	1CT:1CT	-1.1	-42	-37	-33	-20	-14	-11.5	-45	-40	-35	1500
NT805-651T	5	3	1.25CT:1CT	1CT:1CT	-1.1	-42	-37	-33	-20	-14	-11.5	-45	-40	-35	1500
NT805-652T	5	3	1.4CT:1CT	1CT:1CT	-1.1	-42	-37	-33	-20	-14	-11.5	-45	-40	-35	1500
NT805-653T	5	3	2CT:1CT	1CT:1CT	-1.1	-42	-37	-33	-20	-14	-11.5	-45	-40	-35	1500
NT805-654T	5	3	1CT:1.4CT	1CT:1CT	-1.1	-42	-37	-33	-20	-14	-11.5	-45	-40	-35	1500

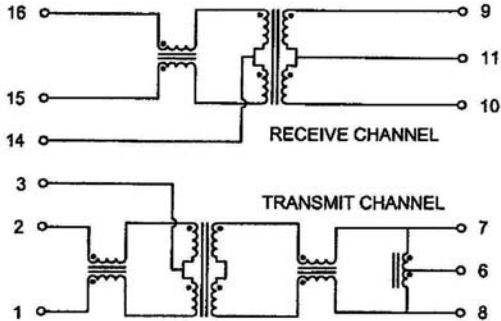


ROMOLAND, INC.

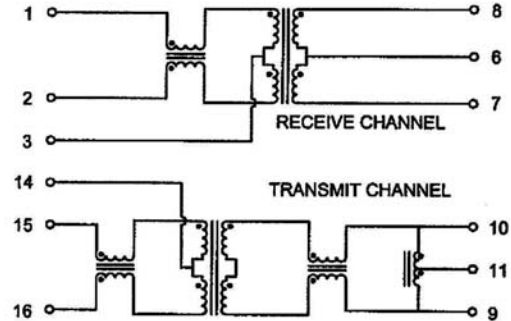
SINGLE PORT NT805-XXXT Series Transformer, LAN, SMD 10/100 Base-TX

SCHEMATICS

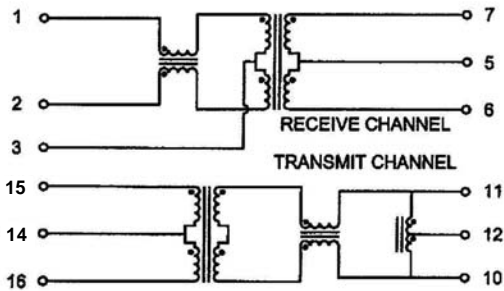
Circuit 1



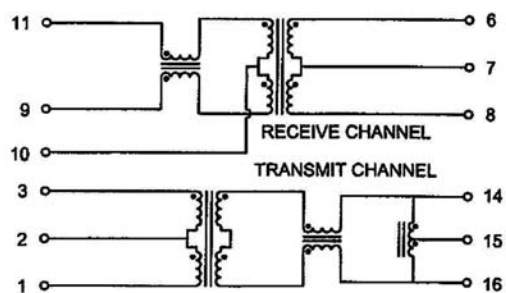
Circuit 2



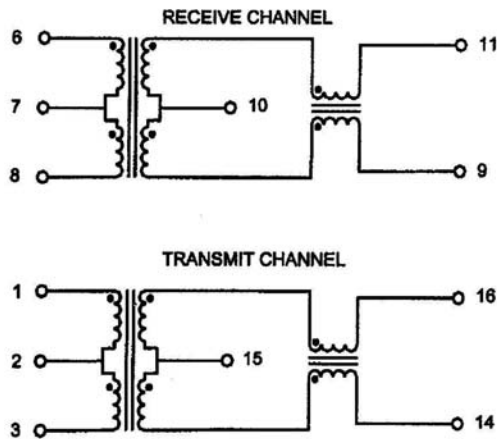
Circuit 3



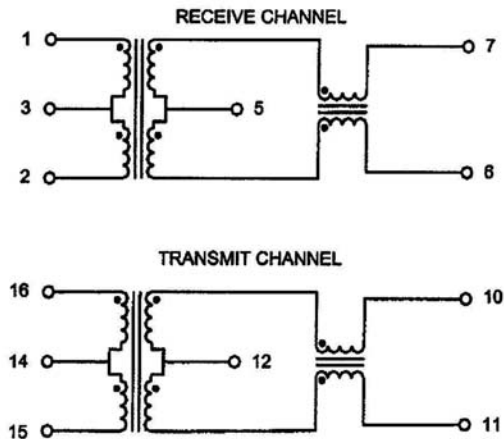
Circuit 4



Circuit 5



Circuit 6



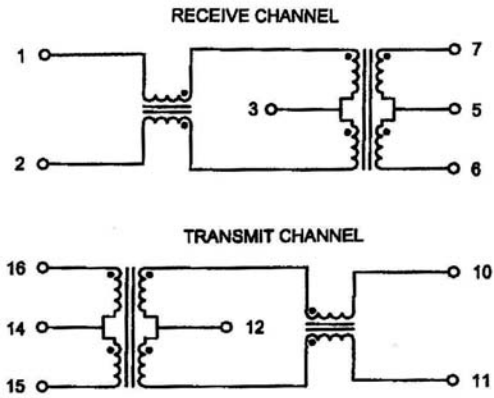


ROMOLAND, INC.

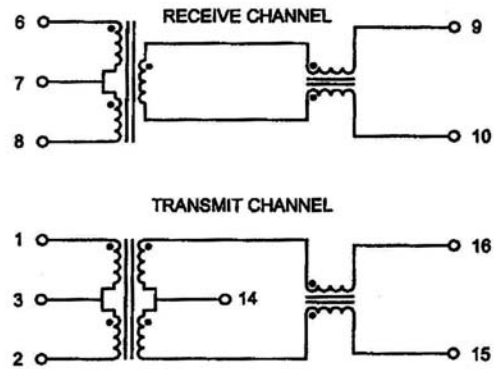
SINGLE PORT NT805-XXXT Series Transformer, LAN, SMD 10/100 Base-TX

SCHEMATICS

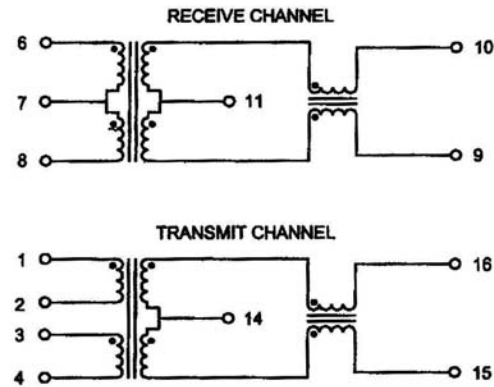
Circuit 7



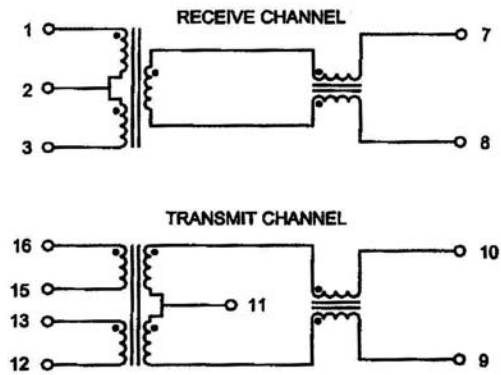
Circuit 8



Circuit 9



Circuit 10





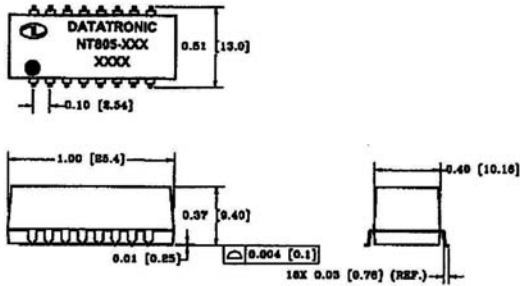
ROMOLAND, INC.

SINGLE PORT NT805-XXXT Series

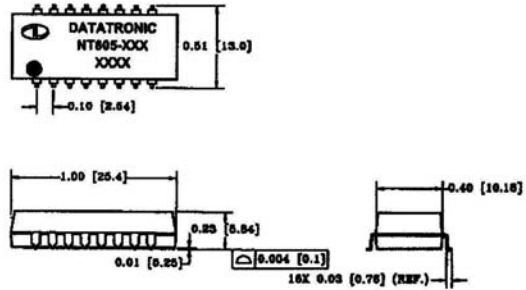
Transformer, LAN, SMD 10/100 Base-TX

MECHANICAL

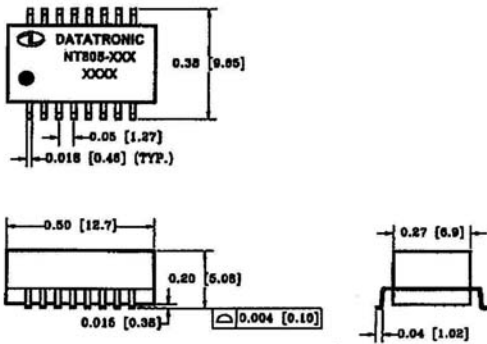
Package 1



Package 2



Package 3



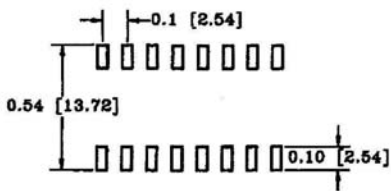
Dimensions:

Unit of all dimensions are inches [mm]

All tolerance are +/-0.01 [0.25]

SUGGESTED PAD LAYOUT

For package 1 & 2



For package 3

